

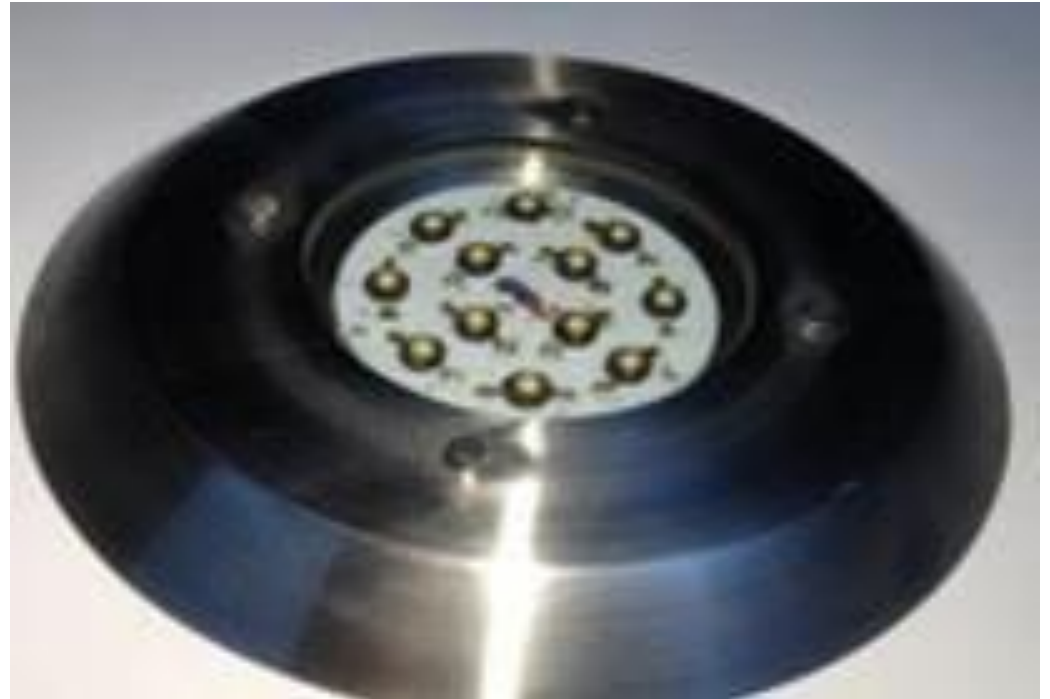


Code –G1 - SL-LWSUR- 20W

SUPER AQUA - Swimming pool Fixture:-
SURFACE MOUNTED FIXTURE
Available wattage - 20w

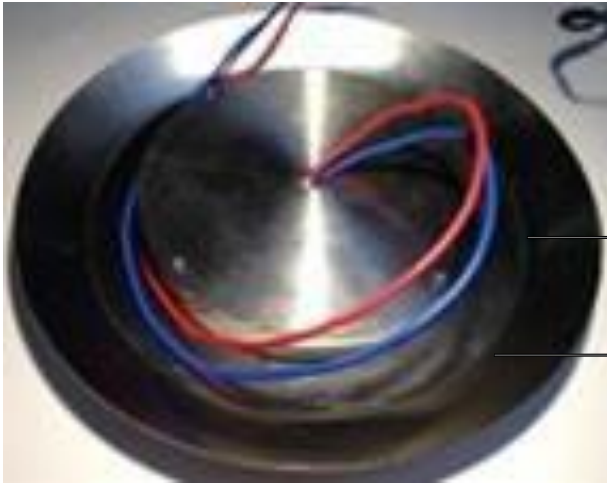
Screw Visible at front.
Made from Solid Stainless Steel 316 SS – L
Double casing protection.
Wash up to 80 rft
Available in – 20 w
Corrosion proof, Fungus proof,
Fixture :- IP – 68 PROTECTION,

Toughened Glass covered with Silicon ring,
Allen key screw from back side.
Brass nut with Rubber Gasket.



Code – G1 - SL-LWSUR- 20W

Technical Details of the fixture :-



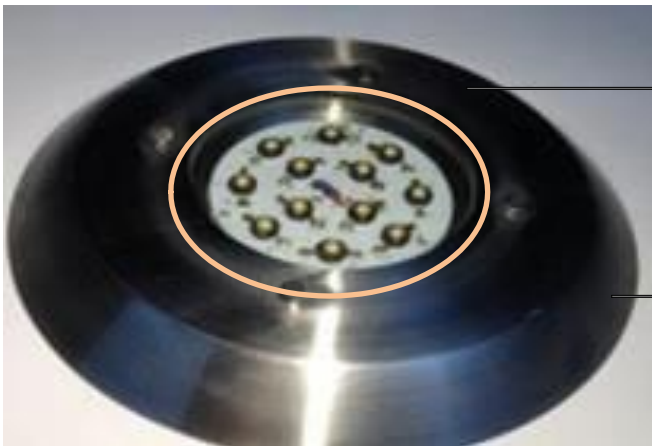
Epoxied cable outlet

For looping of cables

Approx. 185 mm approx.
7 ½ " dia of fixture dome
shape from front

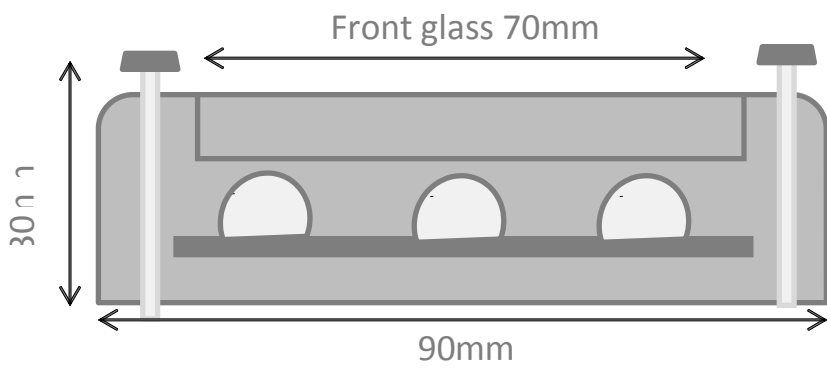
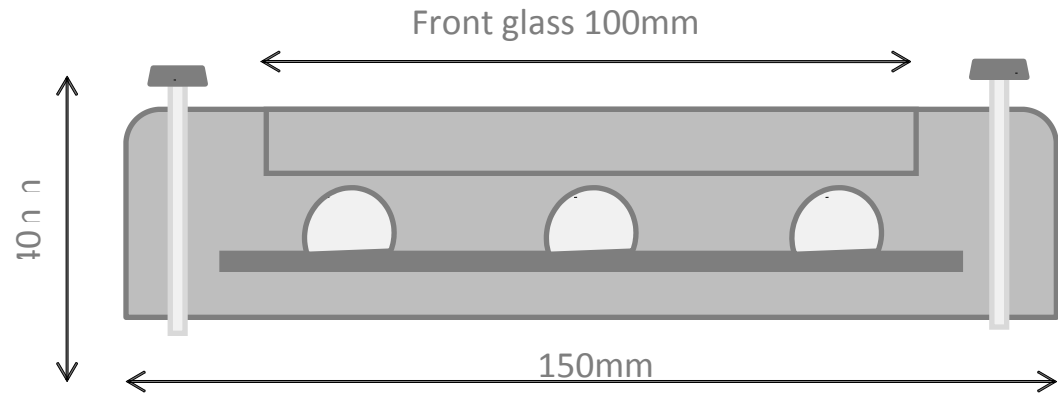
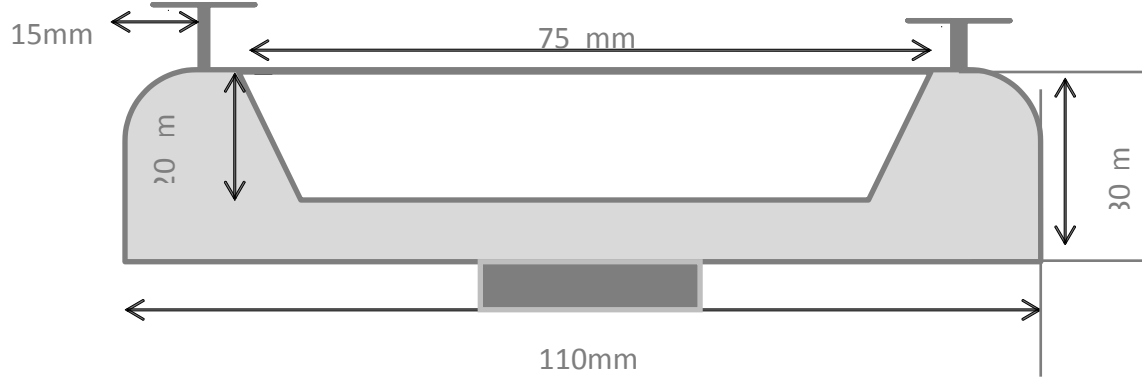


45mm Height
of the fixture



90mm Cut out for Toughed glass
& Mounting of led

Edges tapered to the
45 degree to avoid any
hurdles



Visual Balance



C R I Highest



Diffused lenses



Dimming possible



5 Years Guarantee



IP - 68

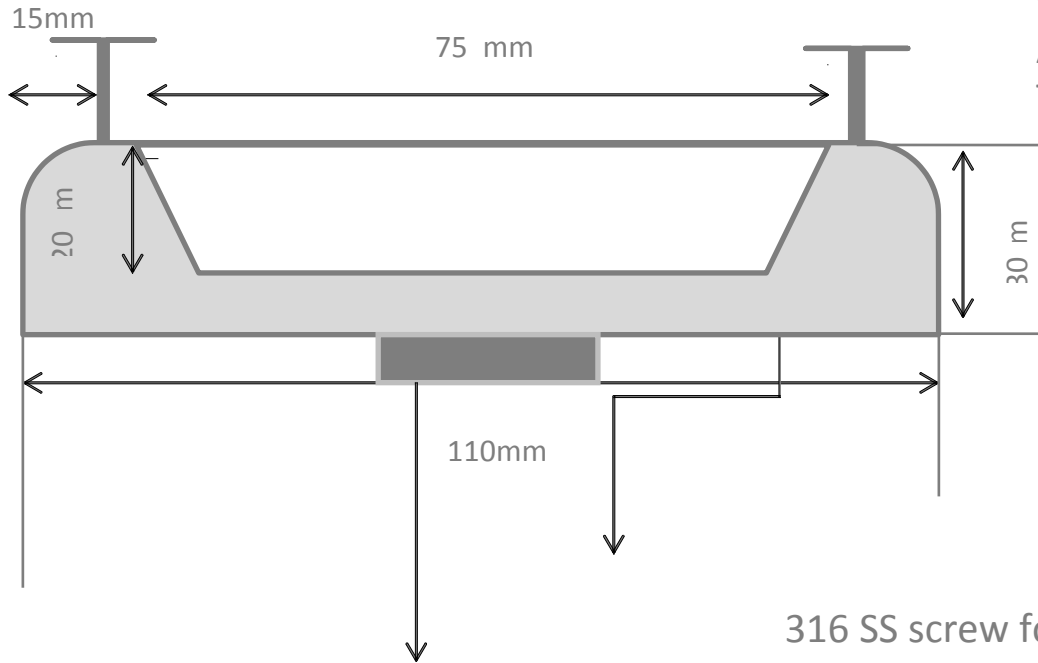


Weather proof

Surface Mounted Led fixture with 20W 9w

SURFACE MOUNTED SWIMMING POOL FIXTURE

Installation details

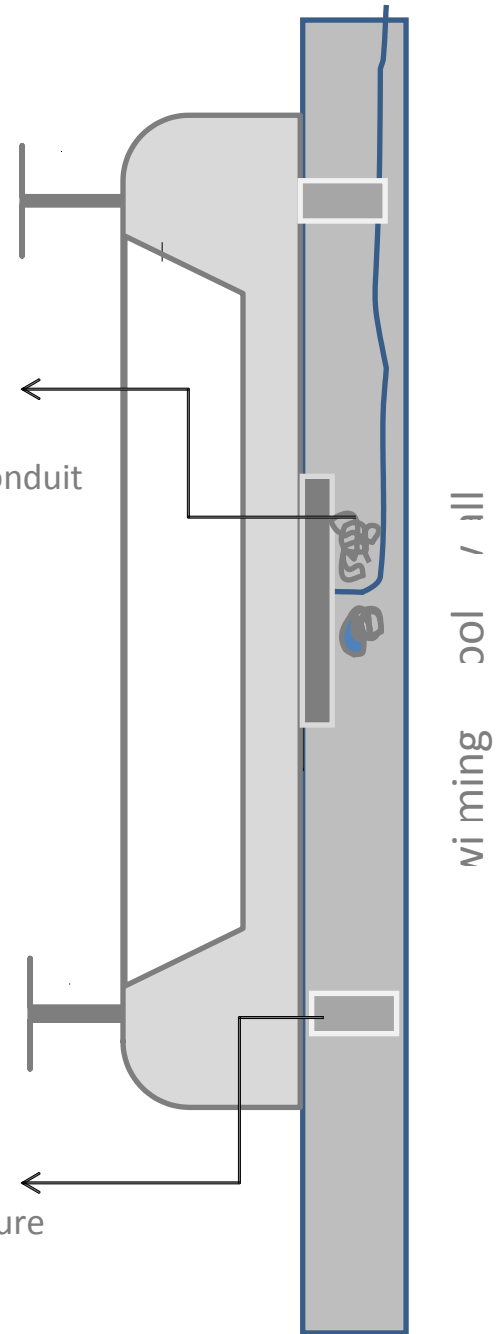


Brass Nut to hold the Wires tight and protect Against dust, water.

Once the fixture is Installed it should Be jam packed With silicon to avoid Any water gushing Through electrical conduit

316 SS screw for mounting

Nylon/ Pvc studs to be mounted In wall for better fastening of fixture In wall



swimming pool / ill